

Cinderella

ELECTRIC COMBUSTION TOILET

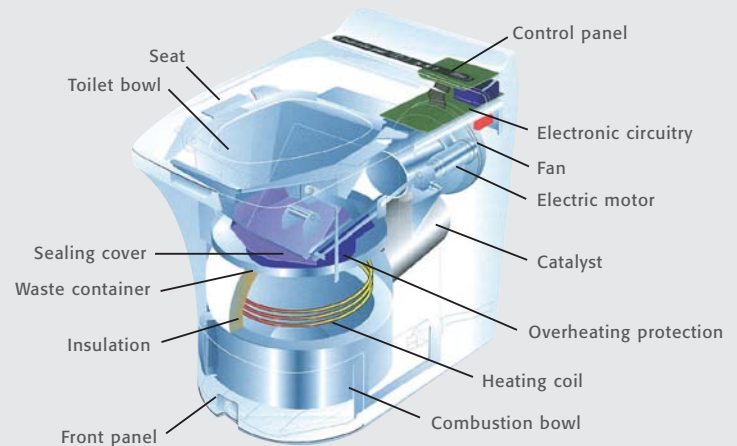


No more latrines!

– just one coffee cup of ash per person per month –

Cinderella is an electric combustion toilet that incinerates urine and faeces at a high temperature. All that remains is a small quantity of ash, about one coffee cup per person per month. The ash is entirely free of bacteria, odourless and contains no pharmaceutical residue. The ash makes excellent garden fertilizer.

- Eco-friendly
- Easy to install
- Requires very little space
- Easy to empty
- Odourless
- Very safe
- Requires no water or sewer connections
- No need for composting agents or chemicals



Cinderella has sufficient capacity for a household of up to 12 people and is equipped with a platinum-coated catalyst for odourless combustion.

The toilet will work anywhere there is electricity, including houses, holiday homes, guest apartments and work cabins. Cinderella can be used in unheated rooms.

QUALITY

Cinderella has been tested and approved by SEMKO, EMC-tested in accordance with EU directives and is CE labelled. It has a stainless steel frame and a glass fibre-reinforced plastic shell.

SAFETY

The combustion chamber is well insulated and the toilet is equipped with overheating protection.

An integrated battery, which is charged continuously, guarantees complete cooling of the combustion chamber in the event of a power cut.

When the lid is open, the flap to the combustion chamber cannot be opened, which ensures a high level of user safety as the temperature in the combustion chamber may reach 600 degrees during combustion.

WARRANTY

The warranty period for manufacturing defects is two years.

FUNCTION AND USE

The toilet's fan is activated when the lid is opened. A waterproof bag must be placed in the toilet every time it is used. The bag ensures that Cinderella is always clean and fresh each time it is used.

When you are finished, close the lid and start combustion by pressing the START button. Cinderella can be used even when combustion is in progress.

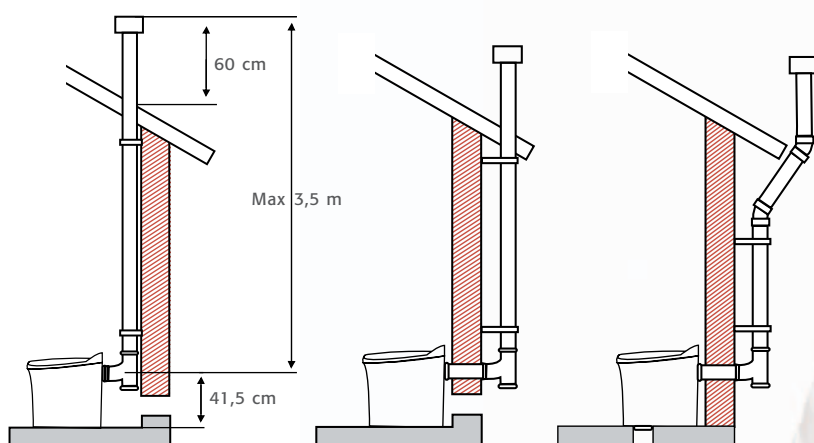
A platinum-coated catalyst removes unpleasant odours from the exhaust air, which is about 30°C warmer than room temperature.

Combustion time will vary from 30 to 110 minutes, depending on the amount of waste and the number of visits. The amount of ash in the combustion bowl is roughly equal to one coffee cup per person per month.

The ash is excellent garden fertilizer and it is eco-friendly as it contains no bacteria or pharmaceutical residue.

SIMPLE INSTALLATION

A ventilation pipe exiting the wall or ceiling, a fresh air vent and an ordinary earthed power socket are all you need.



All that remains is a small amount of ash!



TECHNICAL SPECIFICATIONS

Seat height	540 mm
Height	600 mm
Width	390 mm
Depth	590 mm
Weight	34 kg
Capacity	up to 12 people
Ventilation pipe	Ø 110 mm - max. length 3.5 m
Fan capacity	5.3 W, 49 db, 184 m ³ /hour
Combustion output	2 kW
Energy consumption	1.0 - 2.0 kWh/toilet visit
Voltage	220 - 240 V, 10 A

RETAILERS



Fritidstoa ab, Box 202 16, SE-161 02 Bromma, Sweden
+46 (0)8 615 25 25 | info@fritidstoa.se | www.fritidstoa.se